



Various tonearm configurations available



High end magnetic decoupling feet



TPE damped aluminium platter with vinyl layer

Xtension 9 Evolution

The best in class - Superlative vinyl performance

n/c MSRP 3.299 € (incl. VAT)

Pick it DS2 MSRP 3.499 € (incl. VAT)

- Heavy CNC machined MDF chassis
- High end EVO 9" CC carbon fibre tonearm
- Inverted tonearm bearings (ABEC 7 quality)
- Luxury hand painted or real wood veneer
- Central gravity point technology
- Massive 16 kg total weight
- Precision balanced TPE damped aluminium platter
- Vinyl layer on top offers the perfect record surface
- Inverted ceramic ball bearing with magnetic support
- Sophisticated DC-AC power generator
- Ultra precise and constant speeds
- Electronic speed control 33/45 rpm
- Heavy weight record clamp included
- Handmade in Europe

Colour options:

Speed: 33 / 45 rpm (electronic speed change)
Drive principle: belt drive
Platter weight / diameter: 5,4 kg / 300mm
Speed variance: ± 0,09%
Wow and flutter: ± 0,1%
Signal to noise: 73dB
Tonearm: 9" one-piece carbon-fibre tonearm
Effective arm length / overhang: 230mm / 18mm
Effective tonearm mass: 8,5g
Tracking force range: 0-25mN
Cartridge weight range from: 4 - 14g
External power supply: 220-240V/50Hz / 15V/1600mA DC
Power consumption: 4W (max.) / < 1 watt standby
Included accessories: Record Puck, Connect it E 5P to RCA phono cable, dustcover, power supply
Dimensions (W x H x D): 465 x 185 x 350 mm lid closed
Weight: 16kg

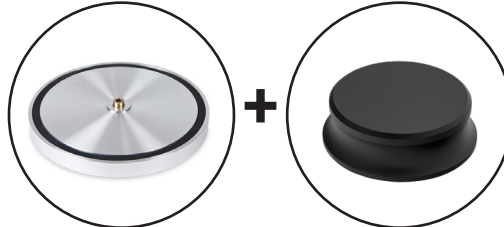
Precision motor control

The precision DC-driven AC generator powers the motor for enhanced speed stability.



Sandwich Platter

Precision balanced aluminium platter with TPE damping ring. Vinyl layer on top offers the best record surface.



Record Puck

Ensures a firm fit of the record.

EVO 9" CC Black

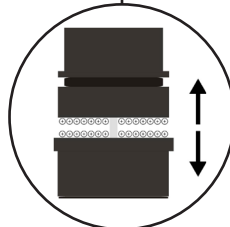
High precision tonearm with carbon fibre arm tube. Cardanic bearing, high-purity copper wiring, TPE damped counterweight.



**33 / 45
RPM**

Electronic speed control

Easily change speeds with the push of a button.



Hi-tech magnetic feet

Three powerful magnetic feet effectively decouple the turntable & let it float over the surface.



Pick it DS2 MC

High-end moving coil cartridge. Very detailed, low distortion, exceptionally lively.

A piece of mechanical art

Xtension 9 Evolution incorporates all our turntable design experience in a slimline size to fit standard audio racks. The chassis is made from **heavyweight non-resonant CNC** machined MDF. This offers us a **solid and acoustically outstanding base** to build a turntable as MDF has very little material typical resonances. We **avoided hollow spaces** in the chassis as these could have a negative impact on the sound quality.

Choose from our **various finish options**, either luxury hand painted colours or real wood veneers.



High Gloss Red - HG White - HG Black - Walnut - Palisander - Eucalyptus - Olive - Mahogany

Special: Walnut Burl Satin - Walnut Burl High Gloss

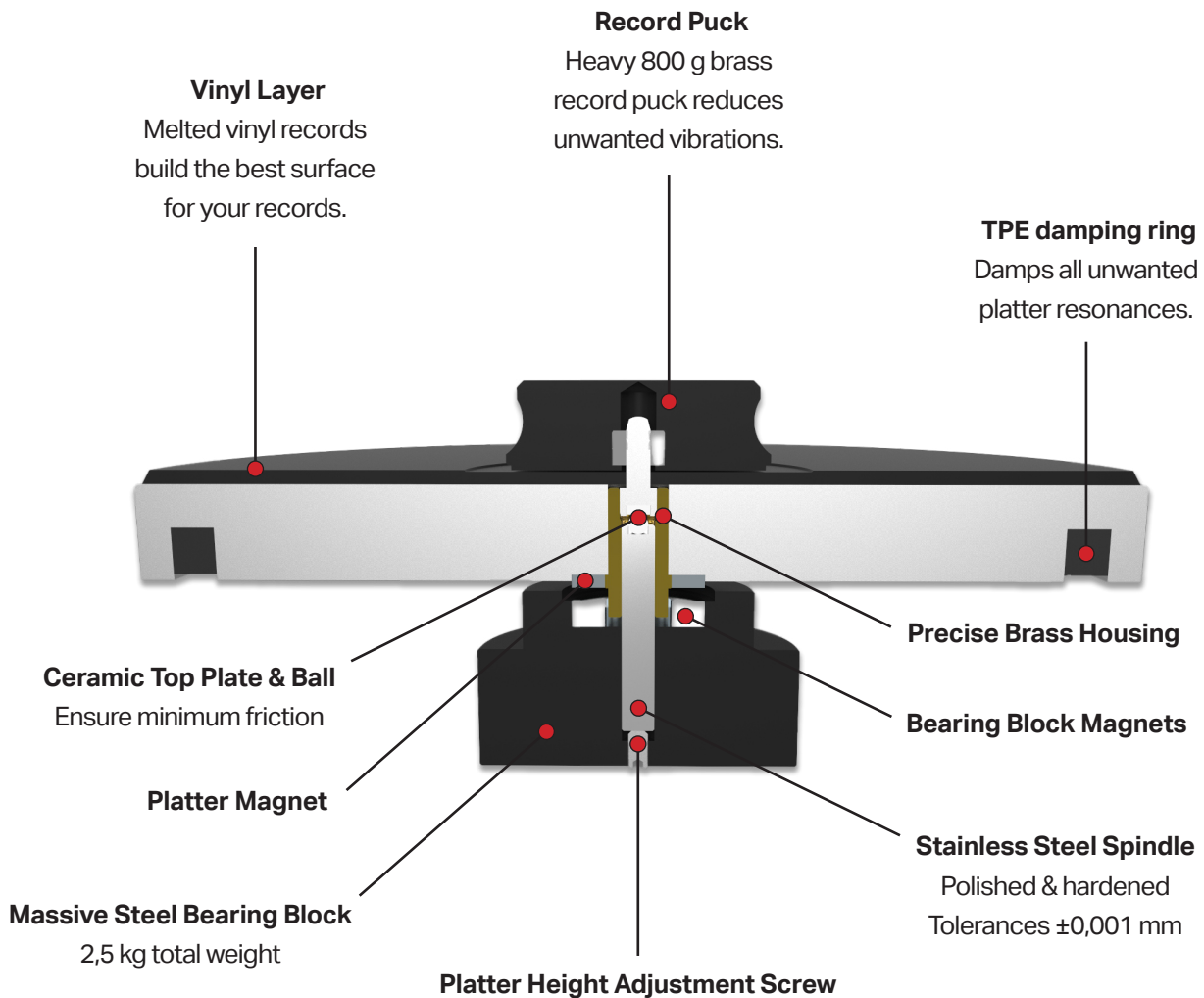


Magnetic main bearing

To ensure stable speeds a proper platter bearing is needed. The Xtension 9 Evolution uses a **special technology**.

The **heavyweight platter** spins on an **inverted ceramic ball bearing** with a **magnetic support** to **reduce bearing noise and resonance to an absolute minimum**.

Which this solution we are able to **relieve the main bearing** and ensure that the platter runs **ultra-silently**.





High End Magnetic Suspension Feet

Many turntable manufacturers forget that the feet are one of the **most important parts** of a turntable. Therefore, we wanted the **best possible solution** for the premium Xtension 9 Evolution.

With its **superlative magnetic feet**, this heavy turntable literally **floats over the surface**. These powerful magnets **effectively decouple the turntable** from its below base.

